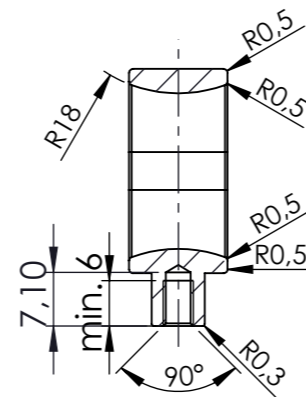
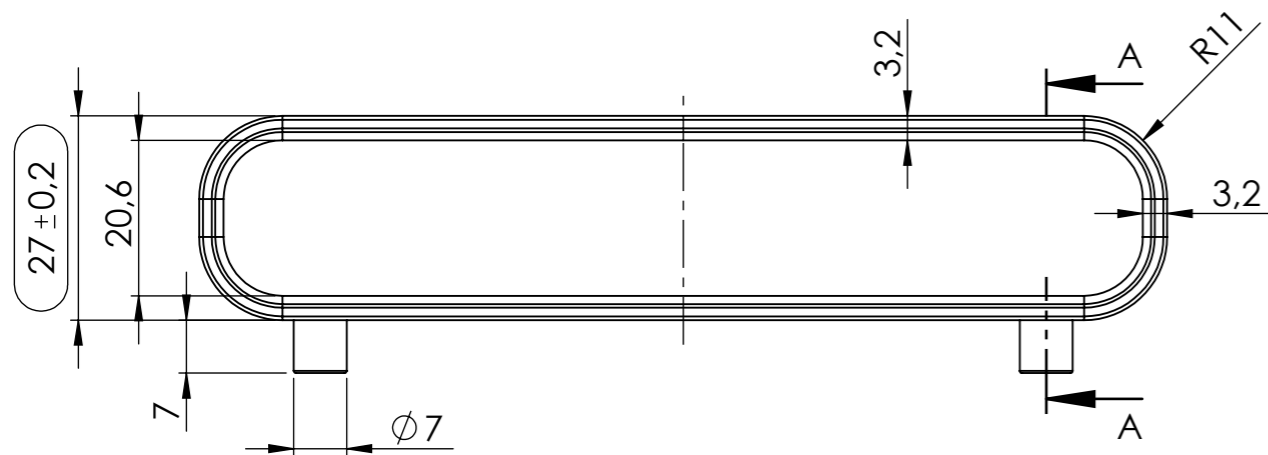


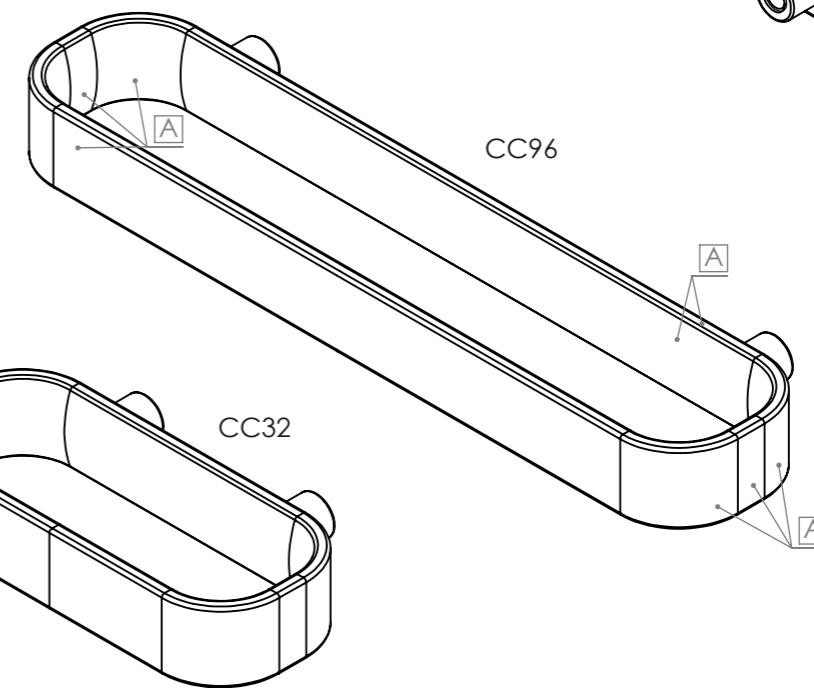
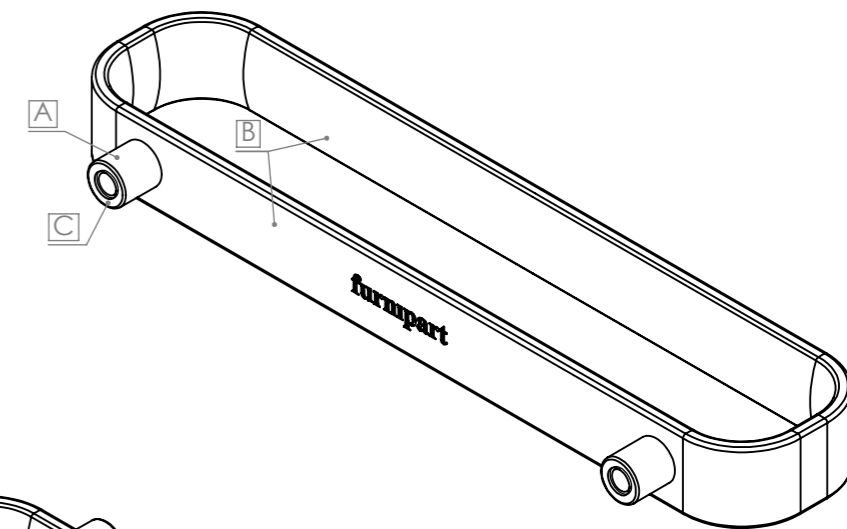
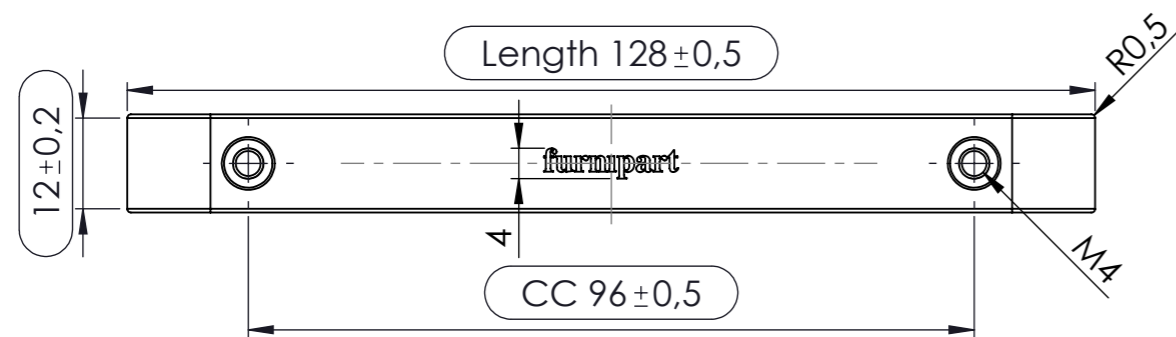
| | | | | | | | | | | | | | | | | | |
|---|---|--|---|---|----------|-----------|------|--------|---------|----------|-----------|------|------|------|------|------|------|
| Part name: RACE | Projection: | Sheet format: A3 | Tolerance unless otherwise specified DS/ISO 2768-1M | | | | | | | | | | | | | | |
| | Sheet: 1 of 3 | Scale: 1:1 | Linear dimensions: | <table border="1"> <tr> <td>0-3</td> <td>3-6</td> <td>6-30</td> <td>30-120</td> <td>120-400</td> <td>400-1000</td> <td>1000-2000</td> </tr> <tr> <td>±0,1</td> <td>±0,1</td> <td>±0,2</td> <td>±0,3</td> <td>±0,5</td> <td>±0,8</td> <td>±1,2</td> </tr> </table> | 0-3 | 3-6 | 6-30 | 30-120 | 120-400 | 400-1000 | 1000-2000 | ±0,1 | ±0,1 | ±0,2 | ±0,3 | ±0,5 | ±0,8 |
| 0-3 | 3-6 | 6-30 | 30-120 | 120-400 | 400-1000 | 1000-2000 | | | | | | | | | | | |
| ±0,1 | ±0,1 | ±0,2 | ±0,3 | ±0,5 | ±0,8 | ±1,2 | | | | | | | | | | | |
| Designer: Steffensen & Würtz | Drawn by: MLR 29-09-2023 | Weight: | Angle: ±0,5° | Radius: ±5% | | | | | | | | | | | | | |
| Item no.: 557120xxx | Finish requirements (PS-004) | Delta 2 Phone: +45 87 64 35 00 DK-8382 Hinnerup E-mail: fp@furnipart.com Requirements confer PS-001 Technical Specifications | | | | | | | | | | | | | | | |
| Material: Zamac/wood | [A] = Most important surface [B] = Important surface [C] = Less important surface | | | | | | | | | | | | | | | | |
| COPYRIGHT: THIS DRAWING MAY NOT BE COPIED OR REPRODUCED IN ANY WAY WITHOUT DIRECT PERMISSION FROM FURNIPART A/S | | | | | | | | | | | | | | | | | |

| Item no. | Length | CC |
|-----------|--------|----|
| 557120032 | 64 | 32 |
| 557120096 | 128 | 96 |

| Rev.: | Date: | Name: | Description: |
|-------|-------|-------|--------------|
| | | | |
| | | | |
| | | | |



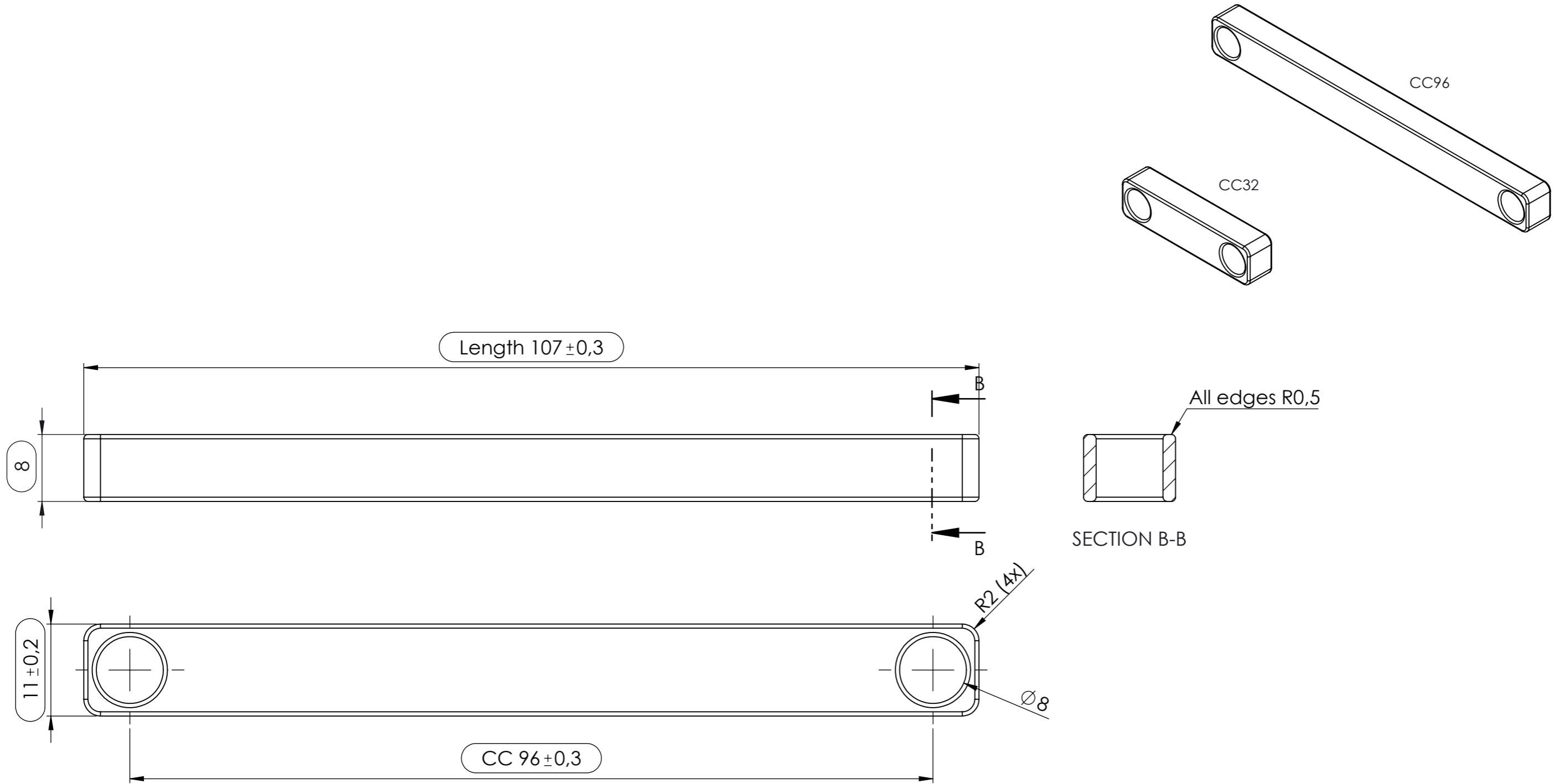
SECTION A-A



| | | | | | | | | | | | | | | | | | | | | | | | | | | | |
|---|---|----------------------------|---|--------|--------------------|----------|-----------|------|--------|---------|----------|-----------|--|------|------|------|------|------|------|------|--------|-------|--|---------|--|-----|--|
| Part name: RACE | Projection: | Sheet format: A3 | Tolerance unless otherwise specified DS/ISO 2768-1M | | | | | | | | | | | | | | | | | | | | | | | | |
| | Sheet: 2 of 3 | Scale: 1:1 | <table border="1"> <tr> <td>Linear dimensions:</td> <td>0-3</td> <td>3-6</td> <td>6-30</td> <td>30-120</td> <td>120-400</td> <td>400-1000</td> <td>1000-2000</td> </tr> <tr> <td></td> <td>±0,1</td> <td>±0,1</td> <td>±0,2</td> <td>±0,3</td> <td>±0,5</td> <td>±0,8</td> <td>±1,2</td> </tr> <tr> <td>Angle:</td> <td colspan="2">±0,5°</td> <td colspan="2">Radius:</td> <td colspan="3">±5%</td> </tr> </table> | | Linear dimensions: | 0-3 | 3-6 | 6-30 | 30-120 | 120-400 | 400-1000 | 1000-2000 | | ±0,1 | ±0,1 | ±0,2 | ±0,3 | ±0,5 | ±0,8 | ±1,2 | Angle: | ±0,5° | | Radius: | | ±5% | |
| Linear dimensions: | 0-3 | 3-6 | 6-30 | 30-120 | 120-400 | 400-1000 | 1000-2000 | | | | | | | | | | | | | | | | | | | | |
| | ±0,1 | ±0,1 | ±0,2 | ±0,3 | ±0,5 | ±0,8 | ±1,2 | | | | | | | | | | | | | | | | | | | | |
| Angle: | ±0,5° | | Radius: | | ±5% | | | | | | | | | | | | | | | | | | | | | | |
| Designer: Steffensen & Würtz | Drawn by: MLR 29-09-2023 | Weight: | Delta 2 DK-8382 Hinnerup Phone: +45 87 64 35 00 E-mail: fp@furnipart.com Requirements confer PS-001 Technical Specifications | | | | | | | | | | | | | | | | | | | | | | | | |
| Item no.: 557120xxx | Finish requirements (PS-004) | | | | | | | | | | | | | | | | | | | | | | | | | | |
| Material: Zamac | [A] = Most important surface [B] = Important surface [C] = Less important surface | | | | | | | | | | | | | | | | | | | | | | | | | | |
| COPYRIGHT: THIS DRAWING MAY NOT BE COPIED OR REPRODUCED IN ANY WAY WITHOUT DIRECT PERMISSION FROM FURNIPART A/S | | | | | | | | | | | | | | | | | | | | | | | | | | | |

| Rev.: | Date: | Name: | Description: |
|-------|-------|-------|--------------|
| | | | |
| | | | |
| | | | |

| Item no. | Length | CC |
|-----------|--------|----|
| 557120032 | 64 | 32 |
| 557120096 | 128 | 96 |



| Item no. | Length | CC |
|-----------|--------|----|
| 118920032 | 64 | 32 |
| 118920096 | 128 | 96 |

| Rev.: | Date: | Name: | Description: |
|-------|-------|-------|--------------|
| | | | |
| | | | |
| | | | |

| | | | | | | | | | | | | | | | | | |
|---|---|----------------------------|---|-----------|-----------|-----------|-----------|---------|----------|-----------|-----------|-----------|-----------|-----------|-----------|-----------|-----------|
| Part name: RACE | Projection: | Sheet format: A3 | Tolerance unless otherwise specified DS/ISO 2768-1M Linear dimensions: <table border="1"> <tr> <td>0-3</td> <td>3-6</td> <td>6-30</td> <td>30-120</td> <td>120-400</td> <td>400-1000</td> <td>1000-2000</td> </tr> <tr> <td>$\pm 0,1$</td> <td>$\pm 0,1$</td> <td>$\pm 0,2$</td> <td>$\pm 0,3$</td> <td>$\pm 0,5$</td> <td>$\pm 0,8$</td> <td>$\pm 1,2$</td> </tr> </table> Angle: $\pm 0,5^\circ$ Radius: $\pm 5\%$ | 0-3 | 3-6 | 6-30 | 30-120 | 120-400 | 400-1000 | 1000-2000 | $\pm 0,1$ | $\pm 0,1$ | $\pm 0,2$ | $\pm 0,3$ | $\pm 0,5$ | $\pm 0,8$ | $\pm 1,2$ |
| 0-3 | 3-6 | 6-30 | | 30-120 | 120-400 | 400-1000 | 1000-2000 | | | | | | | | | | |
| $\pm 0,1$ | $\pm 0,1$ | $\pm 0,2$ | $\pm 0,3$ | $\pm 0,5$ | $\pm 0,8$ | $\pm 1,2$ | | | | | | | | | | | |
| Designer: Steffensen & Würtz | Sheet: 3 of 3 | Scale: 2:1 | Delta 2 DK-8382 Hinnerup Phone: +45 87 64 35 00 E-mail: fp@furnipart.com Requirements confer PS-001 Technical Specifications | | | | | | | | | | | | | | |
| Item no.: 118920xxx | Drawn by: MLR 29-09-2023 | Weight: | | | | | | | | | | | | | | | |
| Material: Wood | Finish requirements (PS-004) [A] = Most important surface [B] = Important surface [C] = Less important surface | | | | | | | | | | | | | | | | |
| COPYRIGHT: THIS DRAWING MAY NOT BE COPIED OR REPRODUCED IN ANY WAY WITHOUT DIRECT PERMISSION FROM FURNIPART A/S | | | | | | | | | | | | | | | | | |