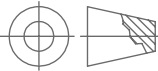

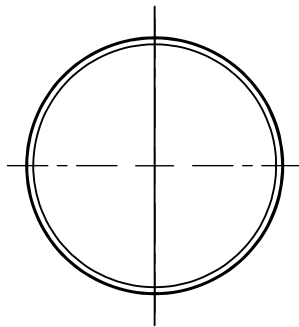
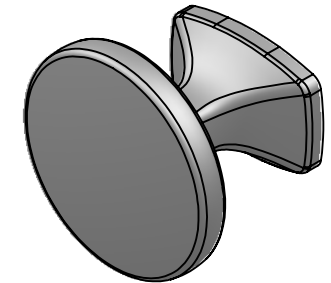
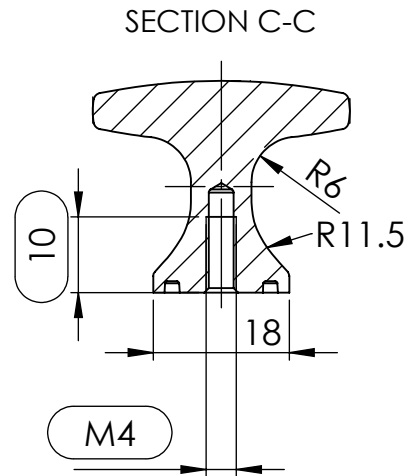
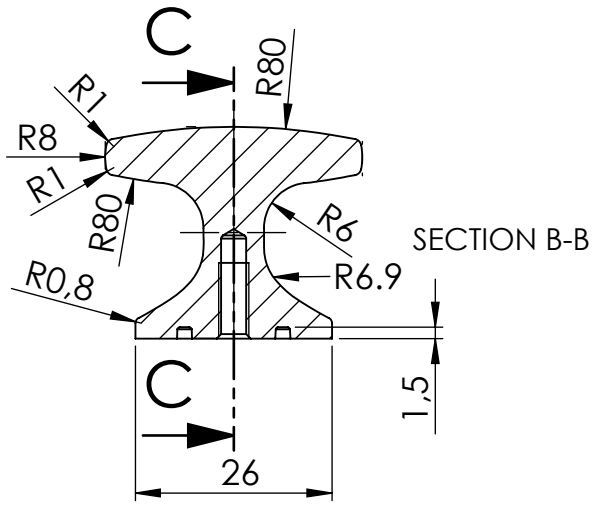
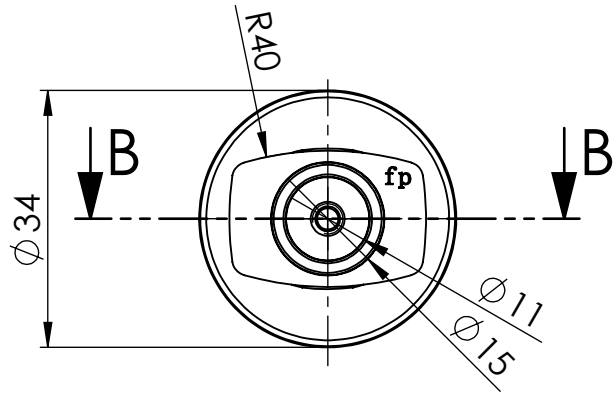


Part name: CLASSIC		Projection: 	Sheet format: A4	Tolerance unless otherwise specified					DS/ISO 2768-1M			
Customer:		Drawn by: ikr date 30-11-2014	Scale: 1:1	Linear dimensions:	0-3	3-6	6-30	30-120	120-400	400-1000	1000-2000	2000-4000
Part no.: 536460034		Page 1 of 4			± 0.1	± 0.1	± 0.2	± 0.3	± 0.5	± 0.8	± 1.2	± 2
Material:		Weight: 57.44 grams			Angle		Radius					
					± 0.5°		± 0.2					
Rev.: Date: Name: Description:						Delta 2		Phone: +45 87 64 35 00				
						DK-8382 Hinnerup		Fax: +45 87 64 35 01				



Part name: CLASSIC	Projection: 	Sheet format: A4	Tolerance unless otherwise specified		DS/ISO 2768-1M						
Customer:	Drawn by: ikr date 30-11-2014	Scale: 1:1	Linear dimensions:	0-3	3-6	6-30	30-120	120-400	400-1000	1000-2000	2000-4000
Part no.: 536460034 part 1	Page 2 of 4			± 0.1	± 0.1	± 0.2	± 0.3	± 0.5	± 0.8	± 1.2	± 2
Material: Zinc	Weight: 57.31 grams		Angle	Radius							
			± 0.5°	± 0.2							
		furnipart®		Delta 2		Phone: +45 87 64 35 00					
				DK-8382 Hinnerup		Fax: +45 87 64 35 01					

Rev.:	Date:	Name:	Description:

