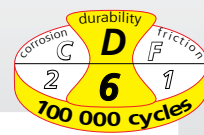




Sliding system on flat steel track

ROC DESIGN®

See details of the standard EN 1527 p.4



CAPACITY/DOOR	120 KG
TRACK	FLAT STEEL
MOVEMENT	STRAIGHT

FITTING KITS

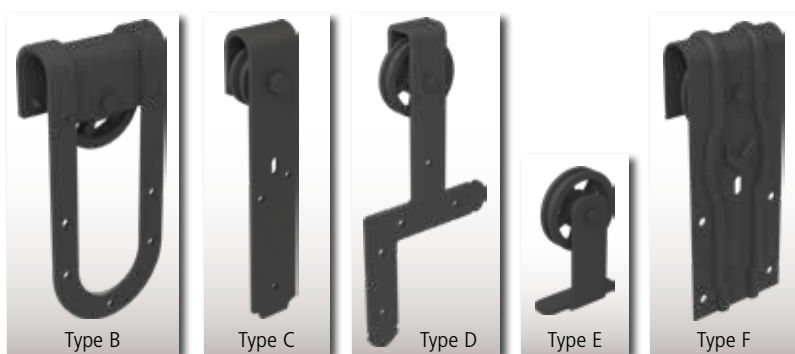
Item Nr.	Description
RD-A-B	Set for doors up to 120 Kg comprising: - 2 rollers with «black» finish. - 2 end stops with rubber buffer, with «black» finish. - 2 anti disbonding systems, with «black» finish. - 1 bottom guide in black plastic. - Screws, spanner and mounting instructions
RD-A-C	Ditto with «rust» finish.
RD-B-B	Ditto with hanger type B , with «black» finish
RD-B-C	Ditto with hanger type B , with «rust» finish
RD-C-B	Ditto with hanger type C , with «black» finish
RD-C-C	Ditto with hanger type C , with «rust» finish
RD-D-B	Ditto with hanger type D , with «black» finish
RD-D-C	Ditto with hanger type D , with «rust» finish
RD-E-B	Ditto with hanger type E , with «black» finish
RD-E-C	Ditto with hanger type E , with «rust» finish
RD-F-B	Ditto with hanger type F , with «black» finish
RD-F-C	Ditto with hanger type F , with «rust» finish

FITTING KIT

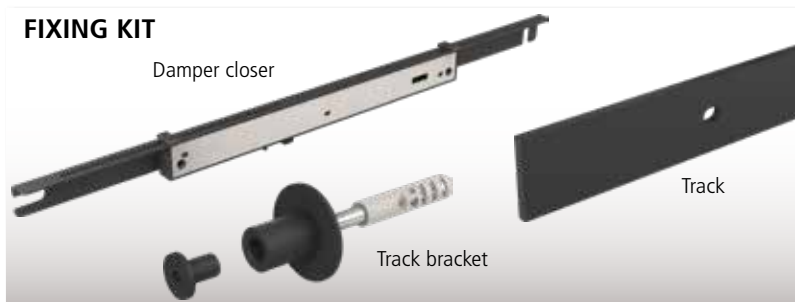


FIXING KITS

RD-T9-B	Kit for maximum opening of 950 mm , «black» finish, comprising: - 1 flat steel track , in length of 1950 mm. 50 x 6 mm - 4 track brackets for wall mounting (every 0.56 m.) - 1 damper closer system for gentle closing or opening of doors
RD-T9-C	Ditto with «rust» finish.
RD-T12-B	Kit for maximum opening of 1200 mm , «black» finish, comprising: - 1 flat steel track , in length of 2400 mm with «black» finish. - 4 track brackets for wall mounting (every 0.56 m.) - 1 damper closer system for gentle closing or opening of doors.
RD-T12-C	Ditto with «rust» finish.



FIXING KIT



ACCESSORIES

RD-1	Bottom guide, for doors for 16 to 45 mm thickness.
RD-2	Damper closer system for gentle closing or opening of doors. For doors up to 120 Kg.
RD-3B	Steel handle with «black» finish. Height: 286 mm - Width: 32 mm
RD-3C	Ditto with «rust» finish.
RD-4B	Dished flush pull, in steel, with «black» finish. Height: 200 mm - Width: 90 mm.
RD-4C	Ditto with «rust» finish.
RD-5B	Steel handle with «black» finish. Height: 356 mm - Width: 32 mm
RD-5C	Ditto with «rust» finish.
RD-6B	Steel handle with «black» finish. Height: 265 mm - Width: 40 mm
RD-6C	Ditto with «rust» finish.
RD-7	Set of 4 shims to increase the distance between the wall and the track. Length: 10 mm.

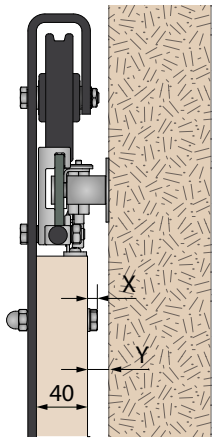


120 Kg

ROC DESIGN®

Stylish sliding system on flat steel track for doors up to 120 Kg.

- **INGENIOUS:** damper closer in each fixing kit
- **PRATICAL:** sliding door sets to bring style to your interior
- **DESIGN:** a unique look with two finition: rust and black
- **QUALITY:** 6 differents type of hanger to make your own interior design



Hanger	A	B	C	D	E	F
X	4	6	/	4	/	4
Y	11	13	8	11	11	11

ROC DESIGN®



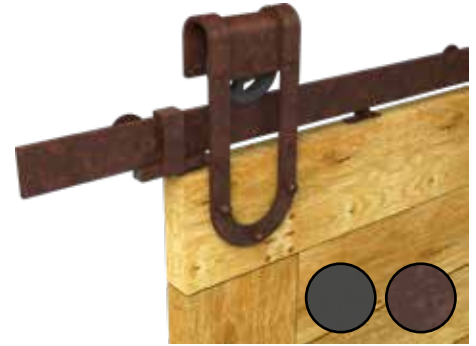
Rust finish



Black finish



Hanger type A



Hanger type B



Hanger type C



Hanger type D



Hanger type E



Hanger type F

Synchronisation kit: RD-8

The **SYMETRIC** mechanism allows the installation of additional doors, and thus enables their symmetrical and simultaneous opening and closing.

Available for **hanger A** and **hanger D**



Damper closer system for gentle closing of doors. Damper automatically follows door to its closed or opened position. For doors up to **120 kg** max.