

# Roc<sup>®</sup> DESIGN

SOLUTIONS FOR YOUR SPACE





# I ♥ Design

## TECHNICAL DATA

Max. door weight:	
Type A - B - D - F	120 Kg
Type E	100 kg
Type C	80 kg
Door thickness:	35-45 mm
Opening:	950 & 1200 mm
Track length:	195 0& 2400 mm
Coating colour:	black
Guarantee:	25 years
Guarantee consitions (QR code)	

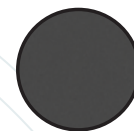


## Factory style

Take a look at Instagram: white walls, grey furniture, black accessories. Take a look at blogs: brick on the walls, concrete on the ceiling, steel as a decoration. Flick through interior design magazines: spartan look, spacious rooms, lots of light. There is no doubt we have loved loft interiors and decorations. The series of sliding door systems ROC® DESIGN is an opportunity for having a loft spirit in any room!

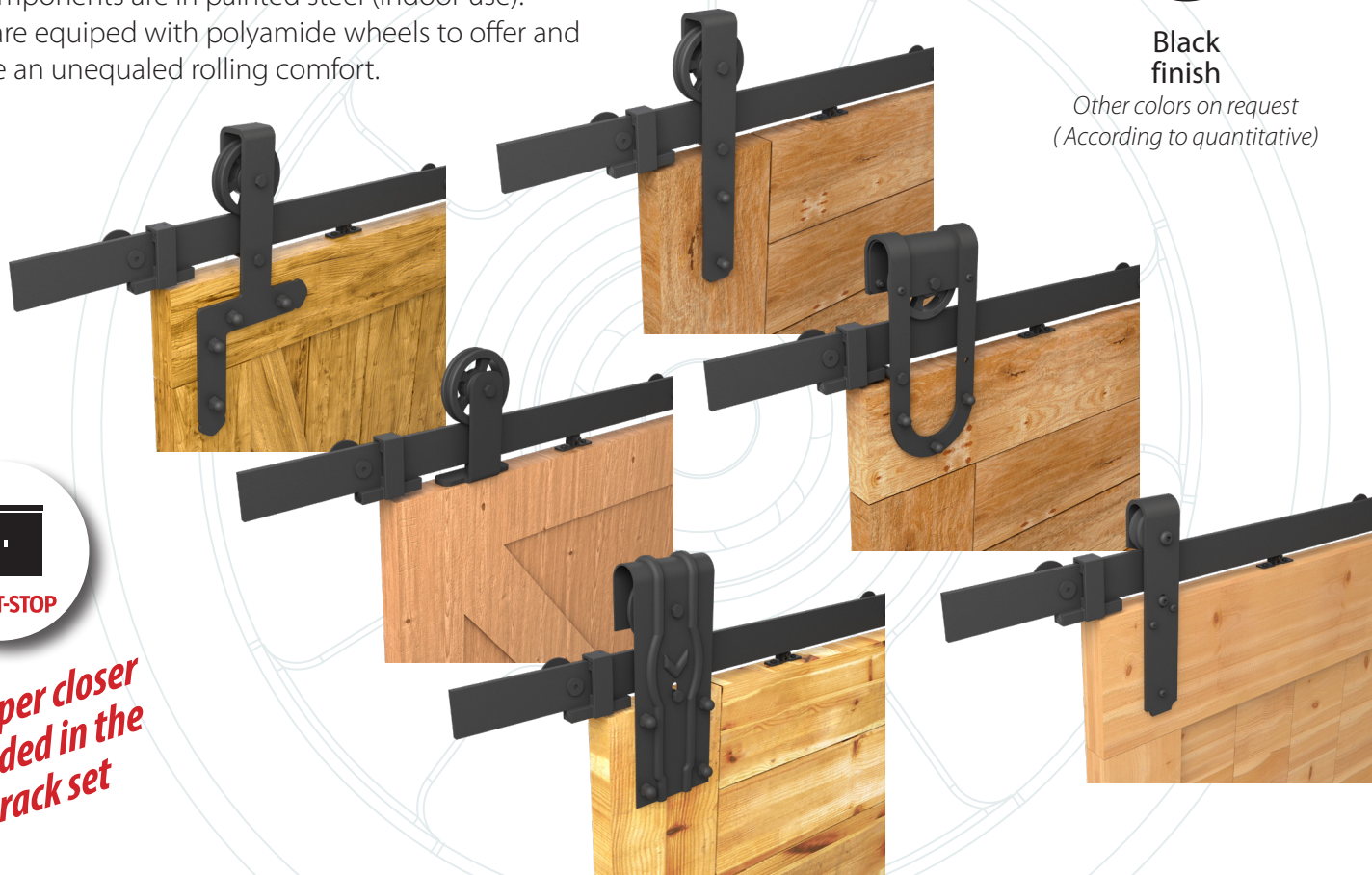
## Select your own style

All the components are in painted steel (indoor use).  
Hangers are equipped with polyamide wheels to offer and guarantee an unequalled rolling comfort.



Black finish

Other colors on request  
(According to quantitative)



SILENT-STOP

1 damper closer  
included in the  
track set



Type A



Type B



Type C



Type D



Type E



Type F

## Highest quality product - 100% made in Europe

The ROC® DESIGN loft systems manufactured in Europe are characterised by the highest quality. The system's components are covered with high impact resistance, and top-class sliding mechanisms will ensure failure-free operation for years.

THE EUROPEAN STANDARD **EN1527**: a safety insurance regarding the performance of fittings for sliding doors.

By achieving the characteristics of a product according to the European standard, you will avoid inconvenience such as bad sliding, blocking or early wear.

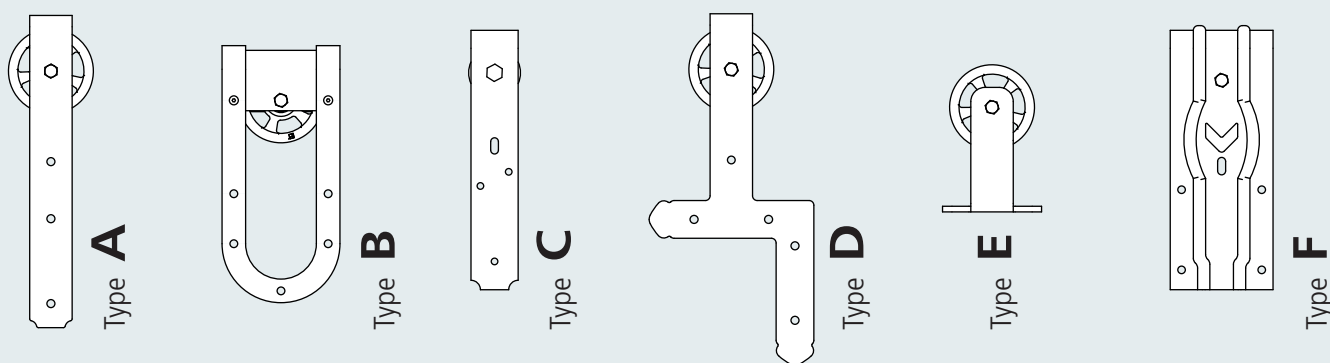
ROC® DESIGN systems are guaranteed **25 years** (indoor use).

*This guarantee only applies to a number of cycles defined by our product range, installation instructions and conditions that can be found on our web site [www.mantion.com](http://www.mantion.com) or using the QR code opposite-->*



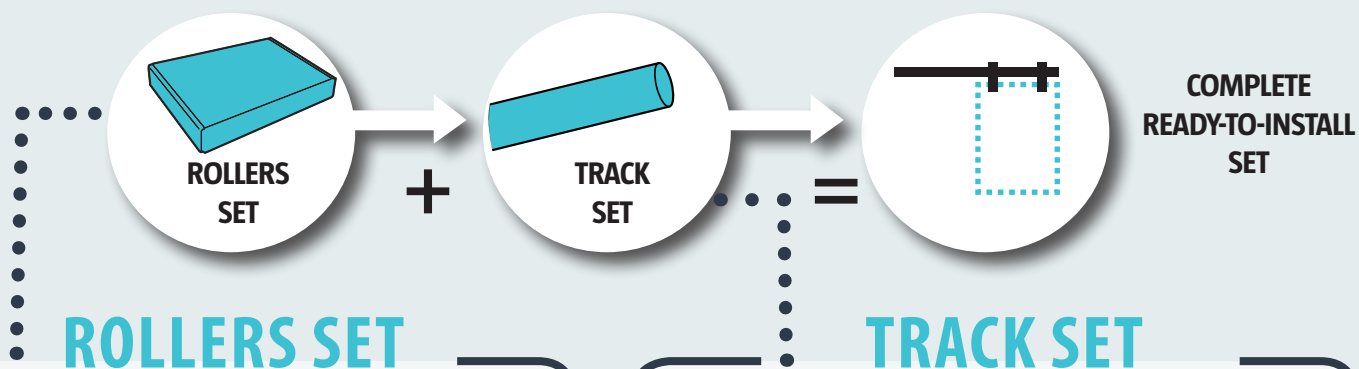
## Customized system

Create your own assembly ROC® DESIGN by yourself!  
Choose the hangers design & the appropriate length of the track.



The ROC® DESIGN rollers are characterised by design based on historic sliding door fittings manufactured by Manton dating back to 1935. Nearly one hundred years later, the classic design was perfected by our designers to meet the expectations of the most demanding customers.

The ROC® DESIGN system combines a unique character with the latest technical solutions.



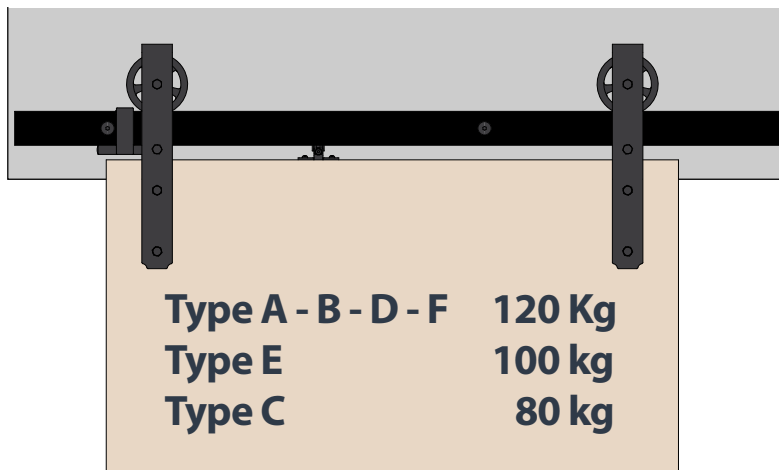
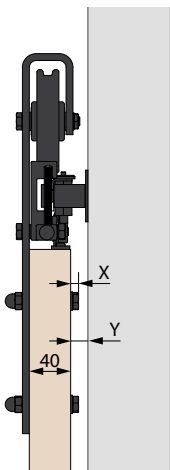
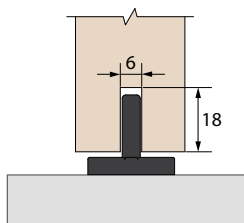
2 hangers (choice of the design) + 2 end stops  
+ anti disbonding systems + 1 bottom guide



1 track (1950 or 2400 mm) + 4 track brackets  
+ 1 damper closer

X and Y given for guidance  
for 40 mm door thickness

Roller	A	B	C	D	E	F
X	4	6.5	-	4	-	4
Y	11	13.5	8	11	13	11

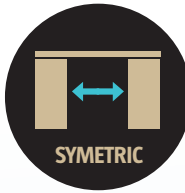


Type A - B - D - F 120 Kg  
Type E 100 kg  
Type C 80 kg

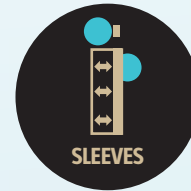
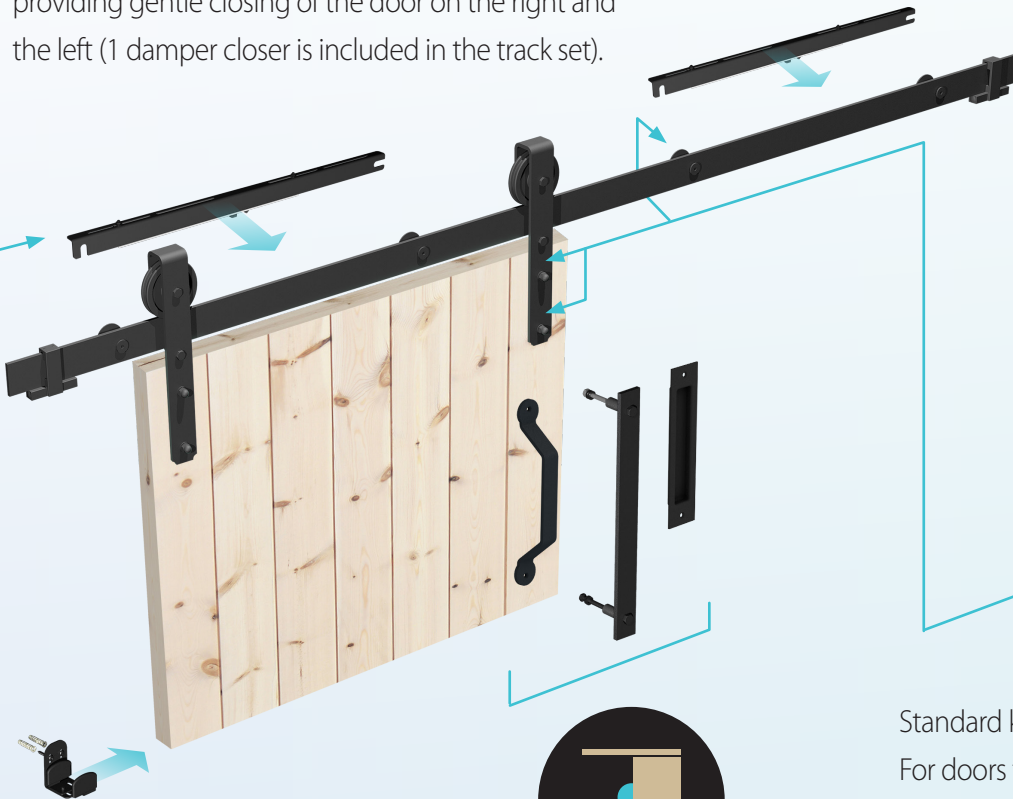
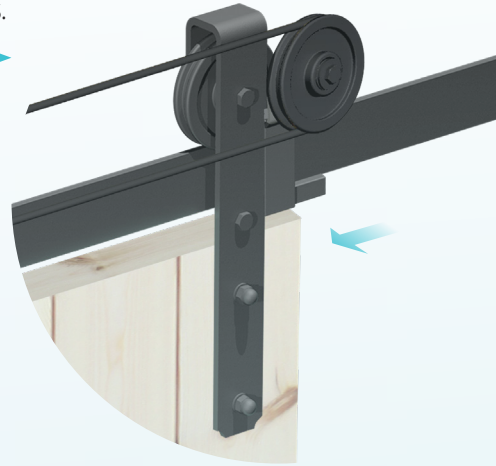
## Enhance your system with accessories



The Roc Design silent-stop is a dedicated soft-closing mechanism that slows down and gently closes the door. It is located on the inside of the track, and thus it does not obscure the view of the structure. The silent-stop can be mounted on both sides of the track, providing gentle closing of the door on the right and the left (1 damper closer is included in the track set).



The SYMETRIC mechanism allows the installation of additional doors, and thus enables their symmetrical and simultaneous opening and closing. The advantage of the assembly is the extremely decorative combination of synchronously operating rollers. Compatible only with Type A & D rollers.



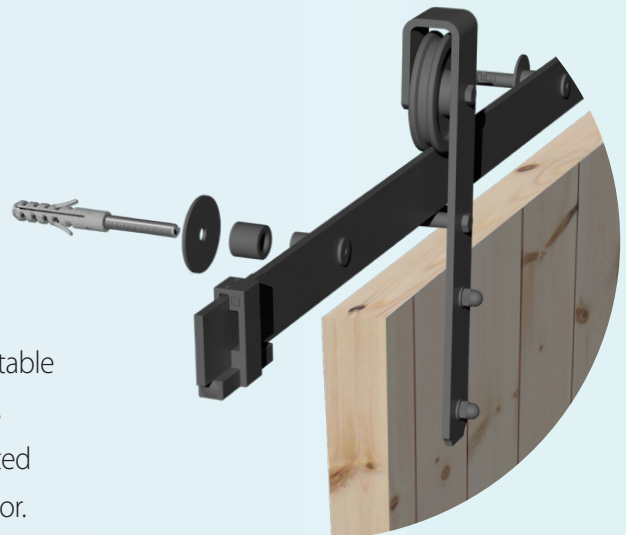
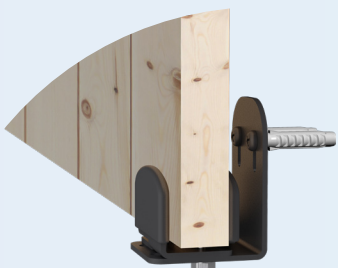
Standard kit for doors from 35 to 45 mm thickness. For doors from 45 to 52 mm thickness, there is an optional set of sleeves.



A choice of 3 types of metal handles.  
 For a complete opening of the door:  
 1 pull handle + 1 flush pull handle.  
 If using 2 pull handles:  
 the door exceeds 10 cm in the passage



The universal bottom guide thanks to the adjustable base, enables the installation of doors of various thicknesses without milling. The guide is mounted to the wall, so you do not have to drill in the door.



# Roc<sup>®</sup> DESIGN



Type A



Type B



Type C



Type D



Type E



Type F

| ♥ Design



MANTION SAS

7, rue Gay Lussac  
25000 Besançon  
FRANCE

Tél.: +33 (0) 3 81 50 56 77  
Fax.: +33 (0) 3 81 53 29 76

Join us on:

