

 **ITALIANA**[®]
f e r r a m e n t a

APC 1



HANGERS



SYMBOLS AND FINISHES LEGEND

SYMBOLS



= SHELF SAFELY LOCKED DURING TRANSPORTATION AND AT HOME.



= ANTI-TURNOVER LOCKING SYSTEM



= NORMS / PATENTS



= PHILLIPS / POZIDRIV



= WITH BUFFER



= PART NO.



= BLADE SLOT



= WITH MAGNET



= PCS. PER PACKAGE



= COMBI SLOT



= HEXAGONAL SOCKET



= NEWTON



= CAPACITY LOADING



= HEXALOBULAR SOCKET



= FRICTION



= WOOD / GLASS THICKNESS



= COUNTERSUNK HEAD



= AUTOMATIC



= HOLE DIAMETER



= PAN HEAD



= DROP DOWN



= DIAMETER



= FLANGE HEAD



= LENGTH



= FLAT HEAD



= STANDARD HINGE



= HEIGHT



= TRILOBULAR SCREW



= KIMANA HINGE



= RIGHT VERSION



= SELF-TAPPING SCREW



= FLAP HINGE



= LEFT VERSION



= EURO THREAD



= WITH SPRING



= SETTING CODE



= METRIC THREAD



= WITHOUT SPRING



= PCS. PER PAD



= PRE-INSERTED SCREW



= REVERSED SPRING



= CUT ON REQUEST



= PRE-INSERTED SCREW AND SPREADING BUSH



= SELF ADHESIVE



= WITH FLANGE

NOTE: Printing errors and omissions may exist despite our best efforts to ensure accuracy. We reserve the right to alter specifications without notice.

MATERIALS

ZA = Zinc Alloy

ST = Steel

HSS = High Speed Steel

BR = Brass

ABS = Acrylonitrile Butadiene Styrene

ZAnk = Nickel-plated Zinc Alloy

STzk = Zinc-plated Steel

AL = Aluminium

WD = Wood

EVA = Ethylene Vinyl Acetate

EP = **ENGINEERING PLASTIC**

+ **EP** = other engineering plastic available on request

SR = **SOFT RUBBER**

+ **SR** = other soft rubber available on request

EPn = Natural Engineering Plastic

EPc = Clear Engineering Plastic

SRn = Natural Soft Rubber

EPw = White Engineering Plastic

EPg = Grey Engineering Plastic

SRw = White Soft Rubber

EPwg = Water Green Engineering Plastic

SRb = Black Soft Rubber



FINISHES



= OTHER FINISHES AVAILABLE ON REQUEST

PART NO.	FINISHES	PART NO.	FINISHES	PART NO.	FINISHES
00	Insignificant finish	IF	Middle Grey	UT	T-Met 9007
AA	Natural	IJ	Light Grey	UZ	T-Met
AB	White	IL	Grey 20	WA	Bronzed
AE	White 9010	IN	Grey met. 26	WI	Burnished
EA	Black	JB	Bright Aluminium	XD	Satin-finished Steel
EC	Matt Black	JC	Aluminium - Chrome	YA	Nickel-plated
EE	Anthracite	JD	Matt Aluminium	YB	Bright Nickel-plated
EW	Grey 9007	JE	Satin-finished Aluminium	YC	Matt Nickel-plated
FU	Gunmetal	JF	Aluminium - Brass	YD	Satin-finished Nickel-plated
FV	Gunmetal V52	JG	Aluminium 5	YQ	Black Nickel
GR	Raw	JL	Aluminium PE 11	Z9	Black Zinc
HA	Brass-Plated	JM	Aluminium RAL 9006	ZA	Zinc alloy
HH	Tropicalized	KA	Chrome	ZN	Zinc-plated
HL	Raw Brass	KB	Bright Chrome	ZQ	Bright Gold
HX	Graphite	KC	Matt Chrome	ZY	Titanium
IA	Grey	NN	Metallic Beige	ZZ	Clear
IB	Metallic Grey	RO	Red		

APC 1 AND APC 6 LIVING SETTINGS





APC 1

APC1 is a two-handed invisible screw fixing cabinet hanger.

APC1 requires a simple installation, without any pre-drilling operations. It can be installed on cabinets with a minimum sanitary gap of 15 mm. APC1 allows a vertical adjustment up to 18 mm and an in-depth adjustment of maximum 31 mm. The adjustments can be carried out from the inside of the cabinet by using a standard PZ2 screwdriver.

Also featured in the APC family are 1 type of wall plate and 2 types of wall bars made of very thick zinc-coated steel and hardened by punched impressions. Wall bars and wall plates feature oval holes which facilitate the correct positioning and give possibility to carry out the horizontal adjustment. Also available 2 different cover caps: one round version for Ø20 mm hole and one square version for double Ø12 mm holes.

FEATURES AND BENEFITS

WIDE ADJUSTMENT RANGE: vertical and in-depth adjustments.

NO PRE-DRILLINGS: no pre-drilling operations are required for the cabinet installation.

ONE COVER CAP: only one hole is needed to provide access to all adjustments.

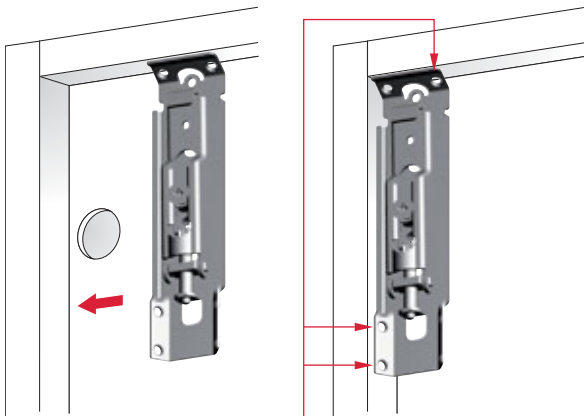
70 Kg per piece



Certificates available on request.

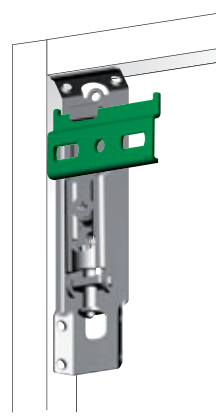


INSTALLATION UNDER THE CABINET TOP



recommended fixing
countersunk head wood
screws Ø3,5x20 mm

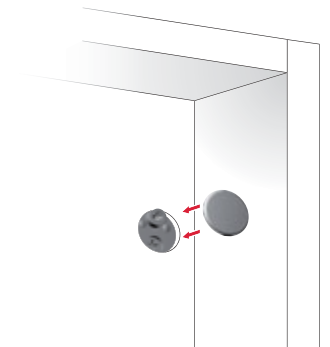
INSTALLATION ON THE WALL



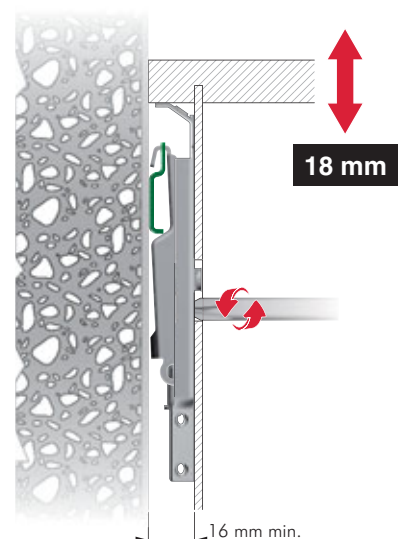
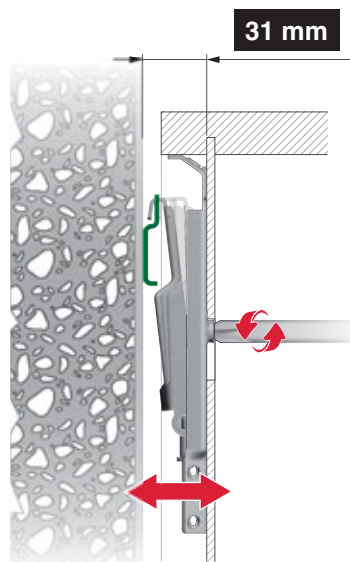
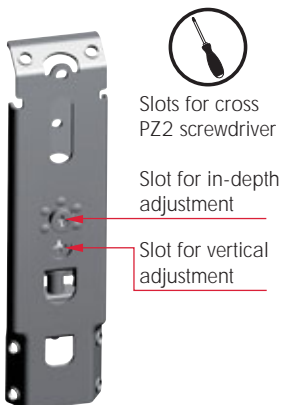
It is the responsibility of the customer:
- to ensure that the wall is of a suitable quality to hold the unit fixing in place.
- to use the proper hardware fittings according to the construction of the wall.

For more specific information, please refer to the WARNINGS section at the end of the catalogue.

COVER CAP INSERTING

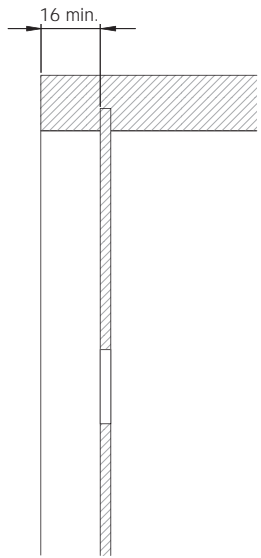


ADJUSTMENTS



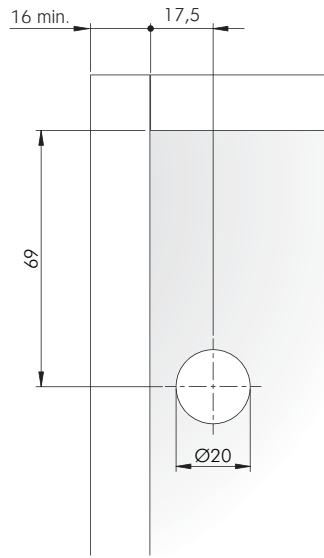
DRILLING PLAN FOR APC 1 FIXED UNDER THE CABINET TOP

SIDE PANEL AND SERVICE GAP

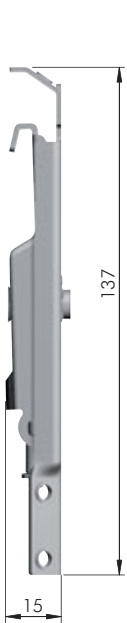
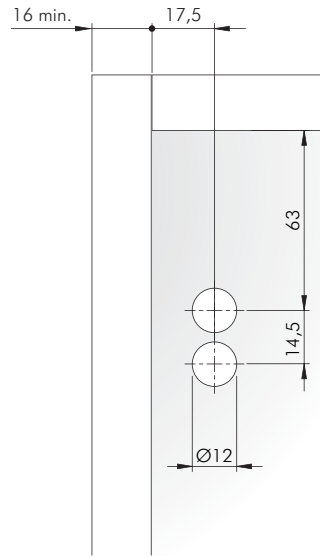


BACK PANEL

APC cover cap $\varnothing 20$

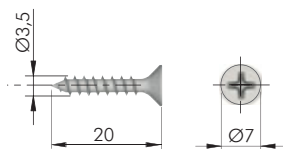


APC cover cap double hole $\varnothing 12$



	= PZ2	
		= 100 pcs.
65210010ZN		

APC 1 FIXING ACCESSORY

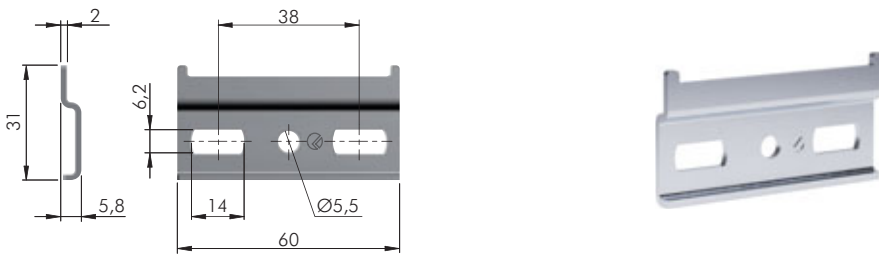


		= PZ2	
		= 5000 pcs.	
60101410ZN			



WPC2 WALL PLATE

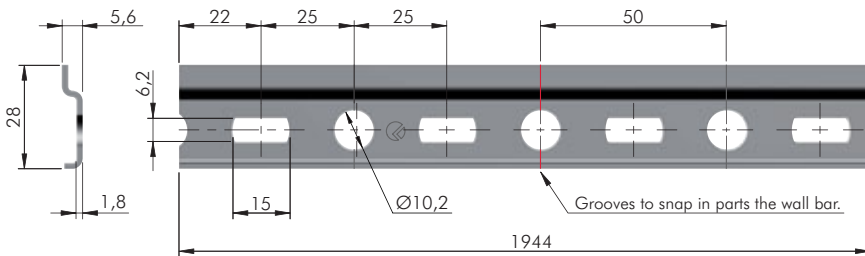
Certificates available on request.



ST	= 100 pcs.
123	
65230010ZN	

WPC1 WALL BAR

Certificates available on request.

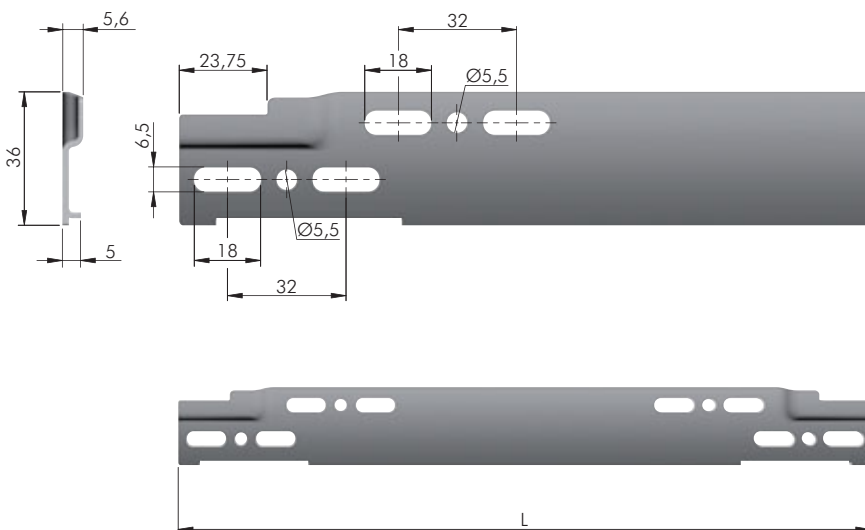


ST	= 20 pcs.
123	
65240010ZN	



WPC3 WALL BAR

Certificates available on request.



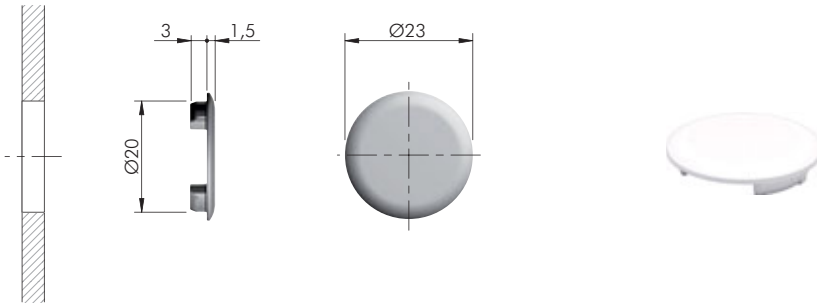
ST	= 20 pcs.
123	
6525 XXXX ZN	

6525 XXXX ZN

L = Length of the bar in mm



APC COVER CAP Ø20



= Ø 20 mm



= 5000 pcs.

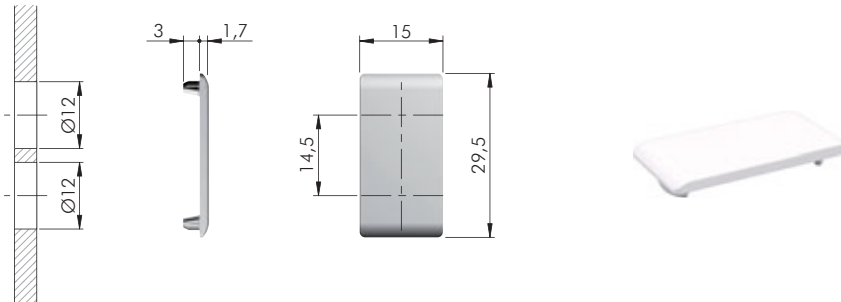


65270100AB

65270100EE

65270100IJ

APC COVER CAP DOUBLE HOLE Ø12



= Ø 12 mm



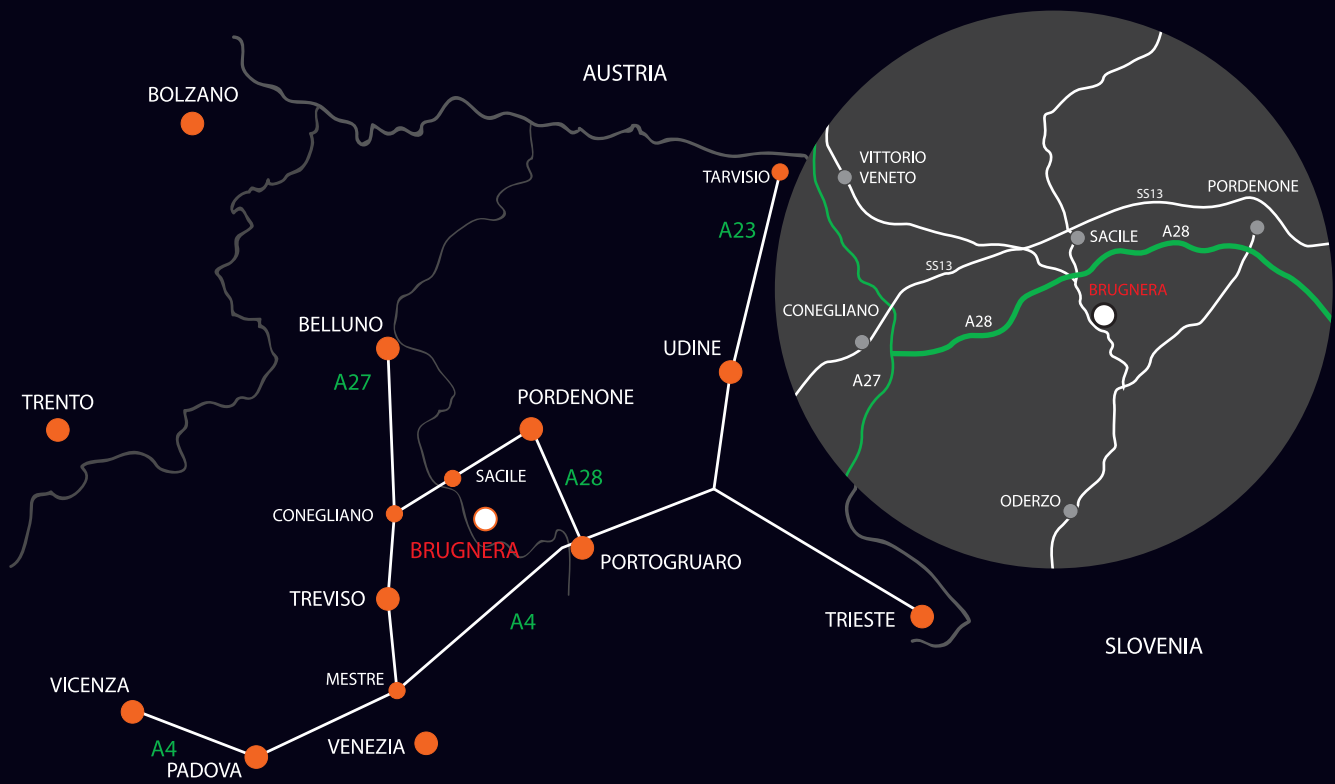
= 5000 pcs.



65270200AB

65270200EE

65270200IJ



www.italianaferramenta.com